

Installation Guide

Residential\Commercial

Roof

Clay \ Concrete tiles \ Shingles \ Asbestos \ Metal tiles \ Ceramic tiles

Retrofit

DIY – Do It Yourself Ready

Contractor - Ready

Tools: Cutting knife, measuring roll, staple gun + 12mm pins, Driller or electric screwdriver.

Installation Accessories: self tapping screws (washers), Polynum or equivalent joints sealing tape.

Recommended to use protective glasses.

Products range: All Polynum™ products.

General: Polynum™ insulation can be easily installed under existing roof, using existing trusses and/or post frame, made of wood or metal. The use of existing wooden trusses or frame will allow faster and easier installation process.

Step 1: Fix with self tapping screws pre-made wooden strips (furring) or, C shape strips into an existing RCC or Concrete slab. Use at least 2" (50mm) x 1" (25mm) wood strips or C shape lines. Place the wood furring/metal strips 1.15m to 1.17m apart. In some cases, it is possible to prepare a frame, and later fixing the frame to the RCC slabs, similar to drop (false) ceiling (see illustration 1a).

Step 2: With a measuring roll, measure the ceiling length. Unwrap Polynum insulation from its original packaging. Using cutting-knife, cut the Polynum at the desired length (prepare Polynum "shreds" per the required length). Allow 15cm (6 inches) for edge overlapping at the end of each piece. (Example: If ceiling length is 7.00m, and width is 4.00m you will need to cut 4x Polynum shreds, 7.30m (approx 21 feet long each).



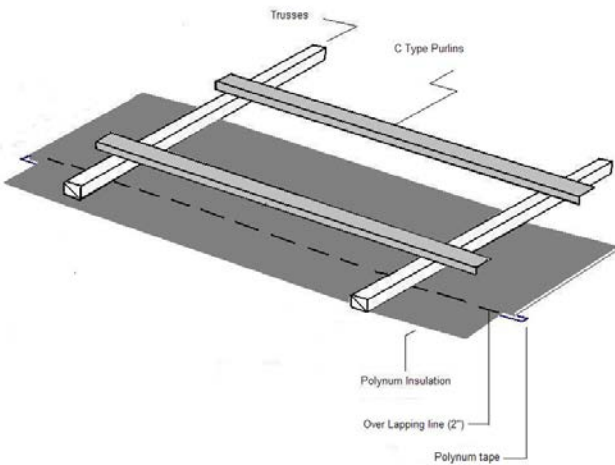
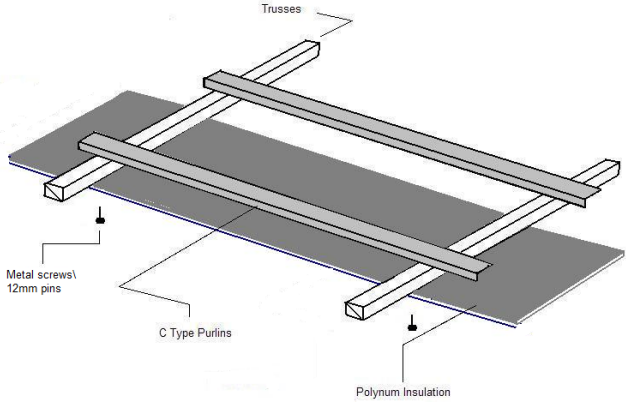
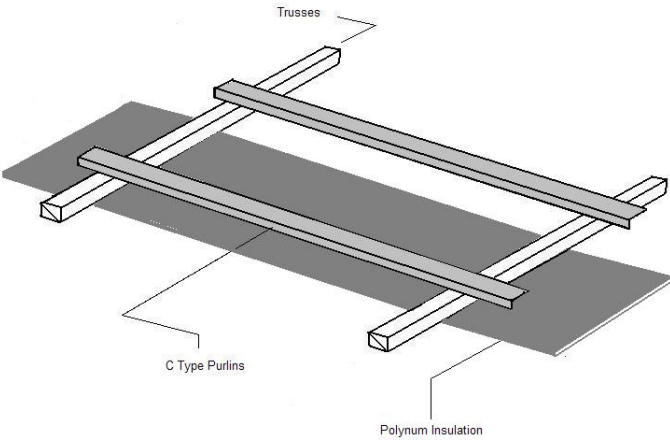
Step 3: Starting from the edge, secure Polynum to the existing frame, (leave 10 to 15cm (4 to 6 inches) of extra "tail" (figure 3a) to be cut later, when work is completed). Move along or across the frame and fix Polynum with staple pins (if frame made of wood) or self tapping screws (if frame made of metal) see 3b illustration. Fix Polynum to each frame line (trusses). Make sure to stretch the Polynum shreds to avoid sagging.

Tip: When installing Polynum onto metal trusses, it is recommended to use washers.

Step 4: Upon finishing fixing the first Polynum shred continue with the second (parallel) shred. Follow step 3. If using **self adhesive** product: upon proceeding, secure the joints (over-lapping) with Polynum self-adhesive strips. When using Polynum **without self-adhesive**: When fixing the shred onto the strips (lines) with already installed Polynum, 50mm (2 inches) of overlapping is required. See illustration 4a. Use staple pins or self tapping screws to secure the overlapping joints. Ensure to staple both Polynum joints together. Upon finishing each shred, use Polynum all weather heavy duty closing tape to seal the joints.

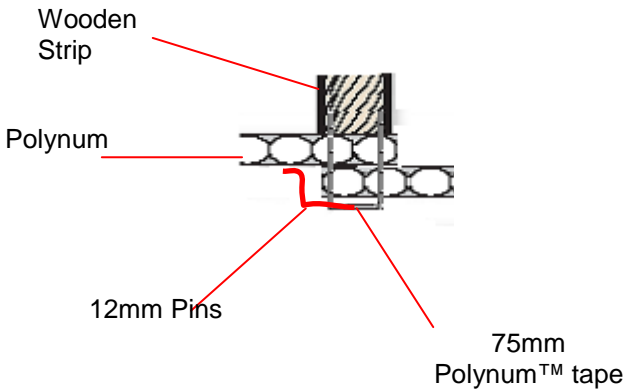
- Polynum™ installation process is clean, fast and efficient
- Polynum™ required less labor and less time covering similar area compare with bulk insulation
- Polynum™ can be installed anywhere in the buildings.
- Polynum™ only required measuring tape, cutting knife, ducting tape and pair of hands...
- Polynum™ can be left exposed for the installation duration. No need extra cover or handling.
- Polynum™ can be shaped and cut to size, reduced wastage!
- Polynum™ requires no gloves or special protection aids.
- There are almost no limitations to where Polynum™ can be used

Fixing method illustration when fixing Polynum onto existing trusses:



Guide for overlapping joints into wooden trusses:

4a



Fixing method illustration when fixing Polynum onto existing metal trusses for new or exiting structure:

3a



3b



3c



3d



3e



3f



3g



3h



3i



3j



3k



3l

